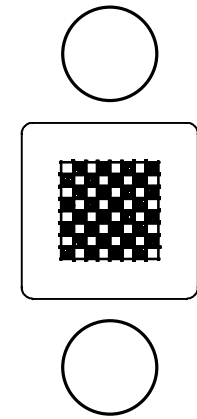
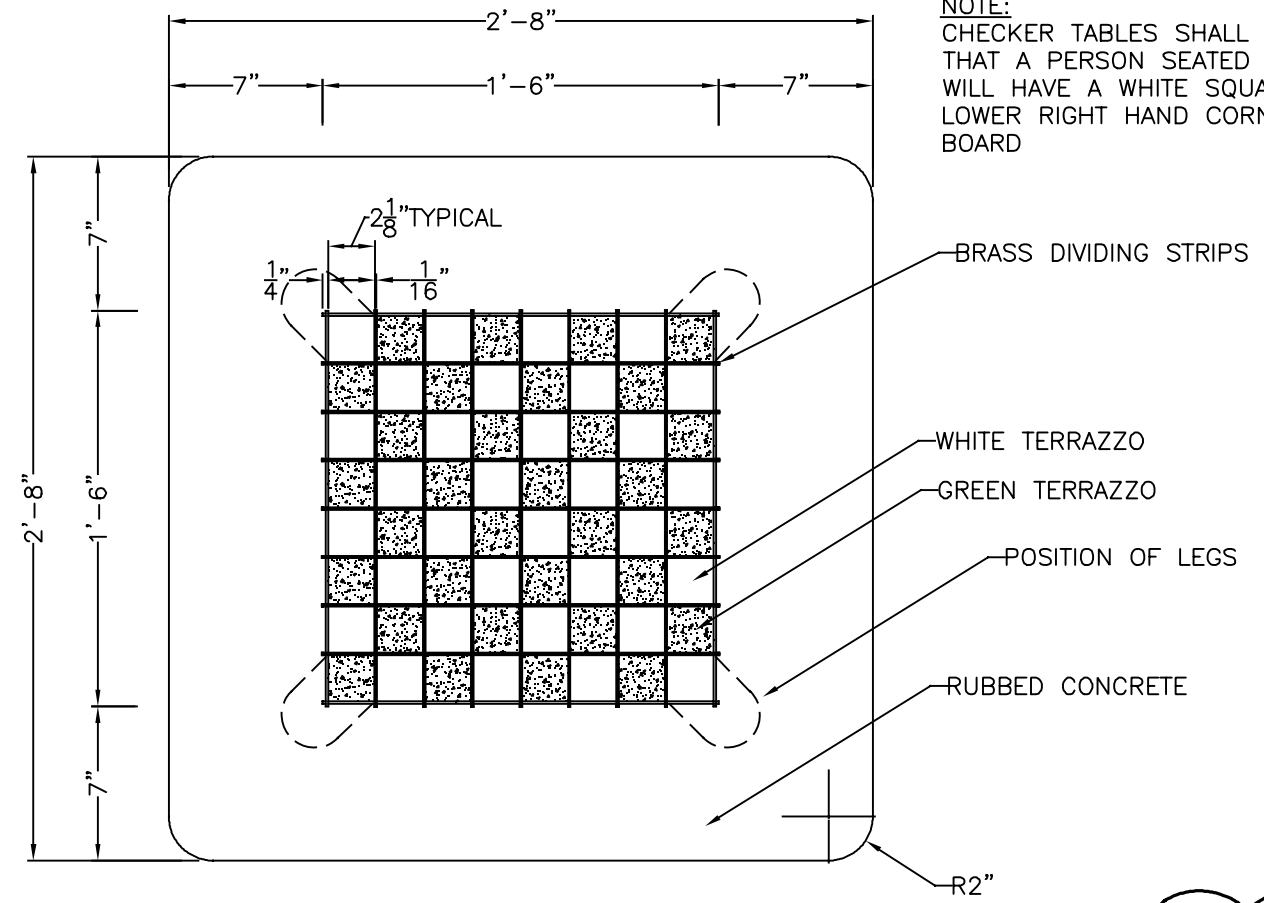


PLAN SHOWING REBAR PACKAGE

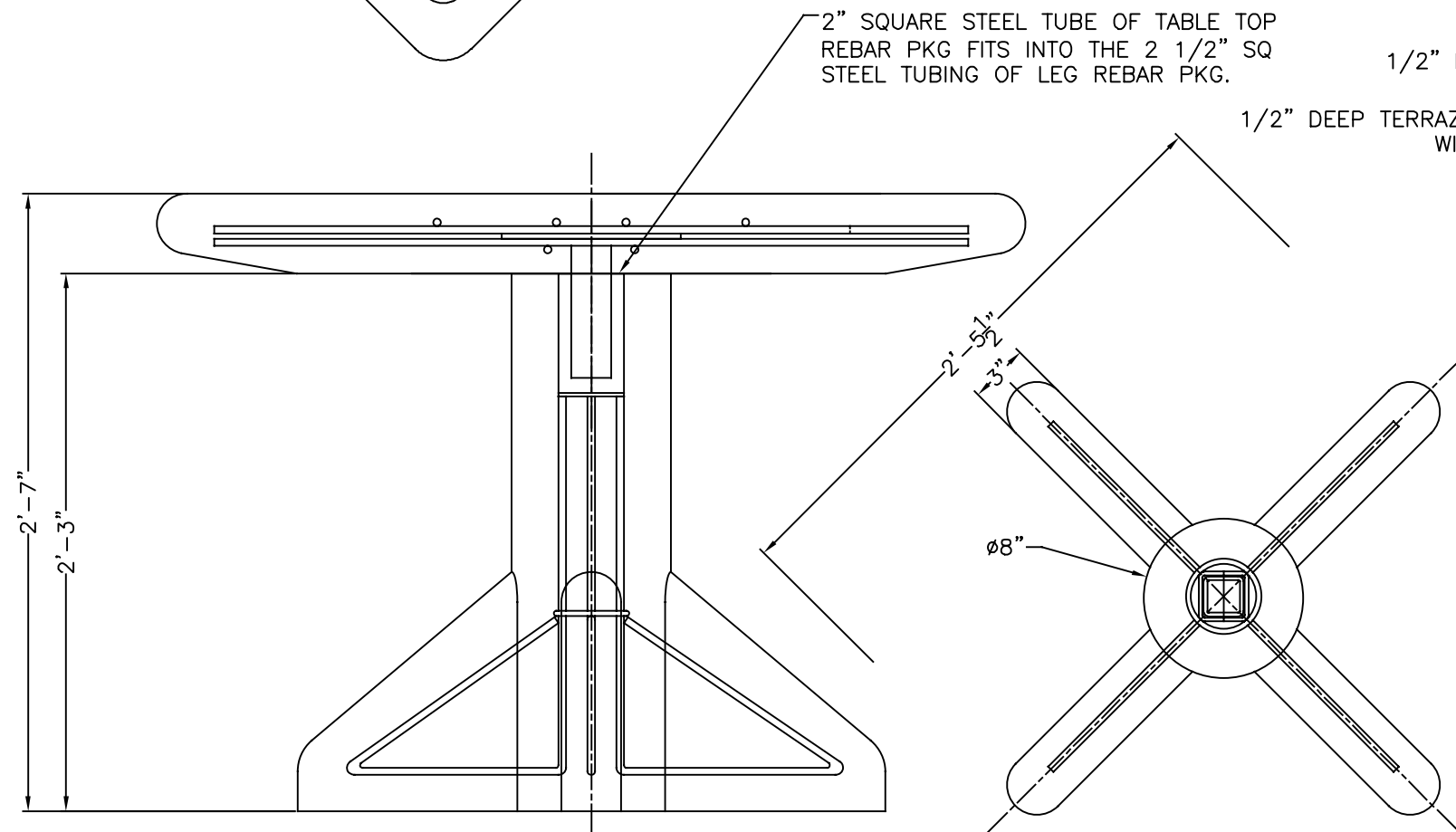


PLAN VIEW OF TABLE WITH TWO 466B-S STOOLS
SCALE: 1"=1'-0"



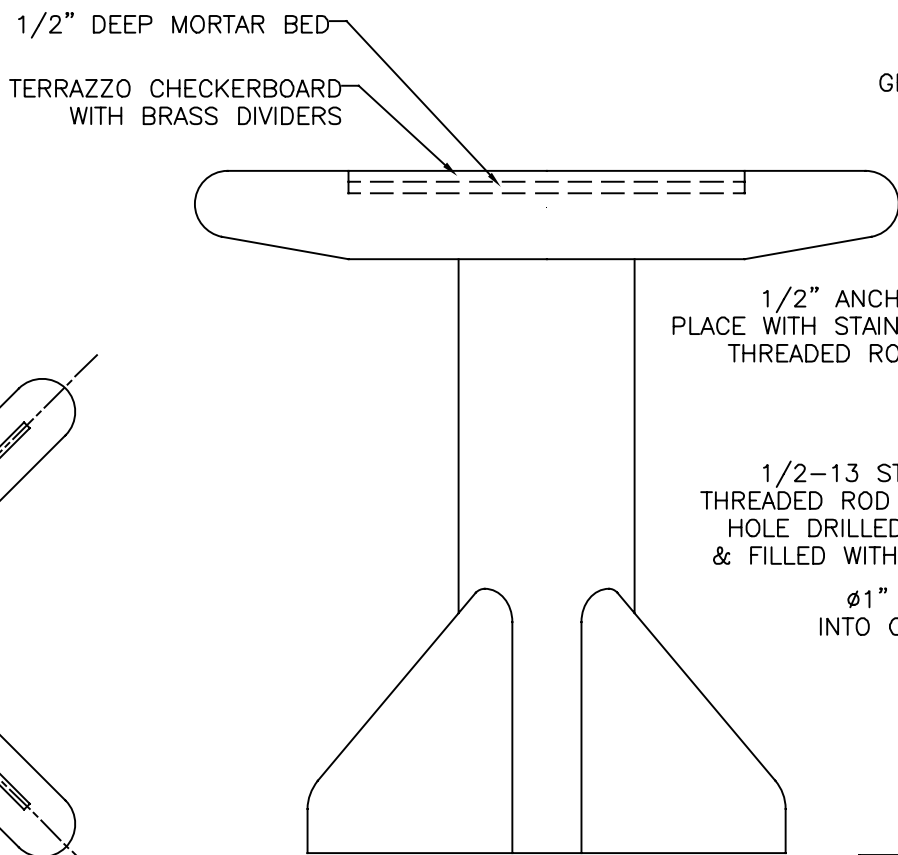
NOTE:
CHECKER TABLES SHALL BE SET SO THAT A PERSON SEATED ON THE BENCH WILL HAVE A WHITE SQUARE IN THE LOWER RIGHT HAND CORNER OF THE BOARD

PLAN VIEW

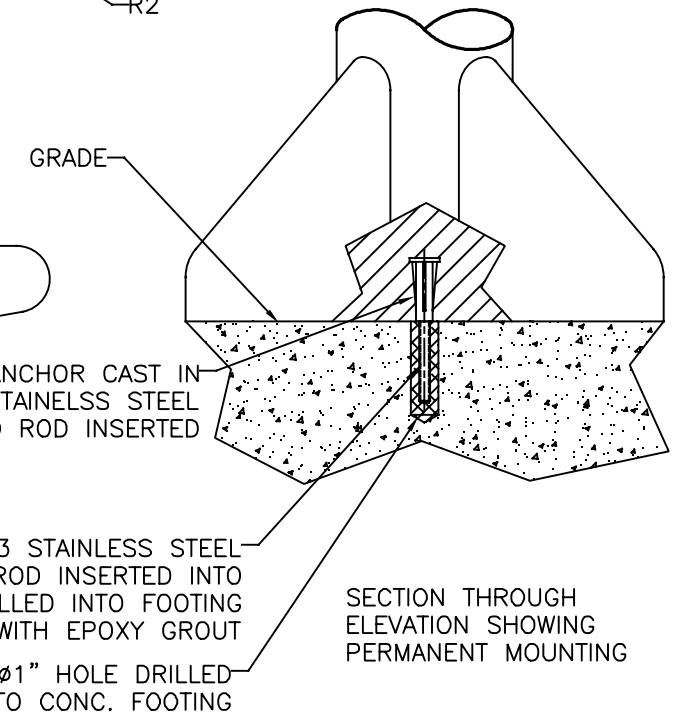


ELEVATION SHOWING REBAR PACKAGE

PLAN VIEW OF LEG SHOWING REBAR PACKAGE



ELEVATION



SECTION THROUGH ELEVATION SHOWING PERMANENT MOUNTING

CONCRETE CLASSICS
203 560 9097
www.ConcreteClassics.com

Date Revised:	Drawn By:	466FS2 MOVABLE TABLE		
6/21/06	S.L.A.	Scale: 3"=1'-0"	Date: 6/3/05	Drawn: SLA
11/28/12	S.L.A.	MULTI VIEWS		
		MAT'L: CAST STONE	#CC-466FS2	